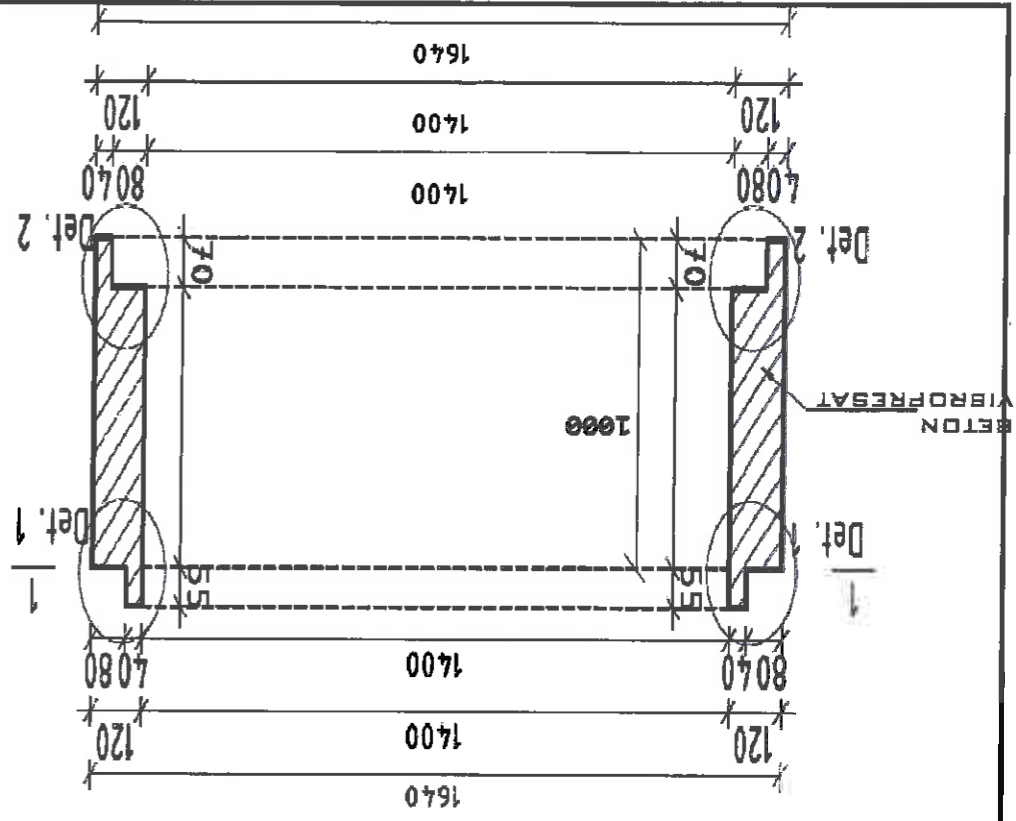
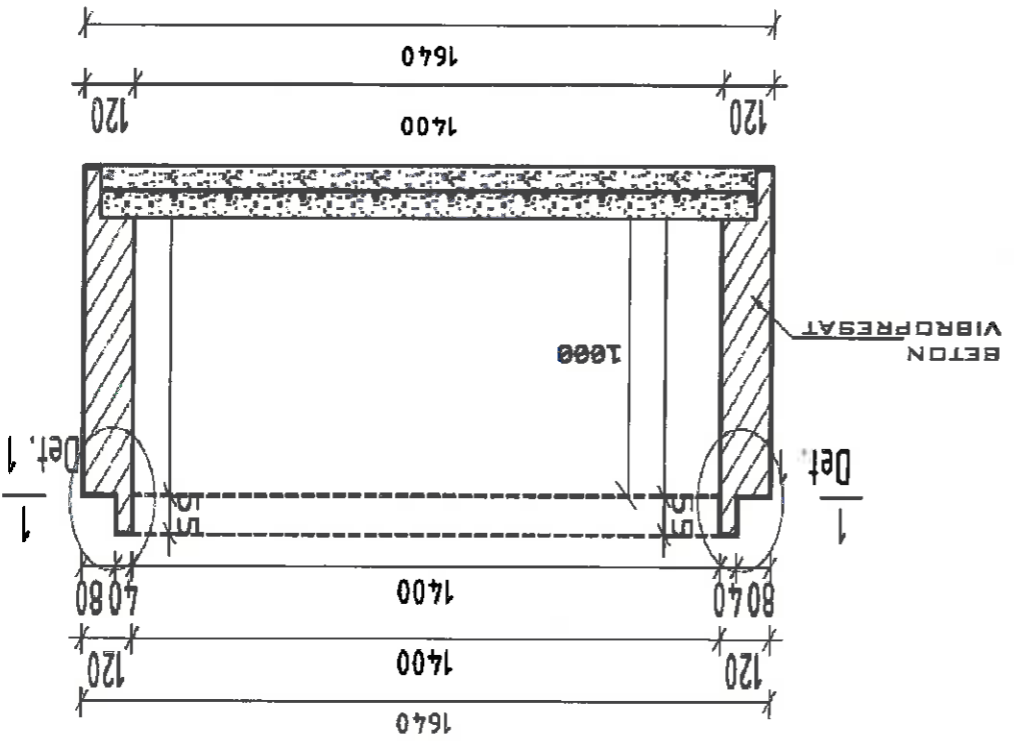


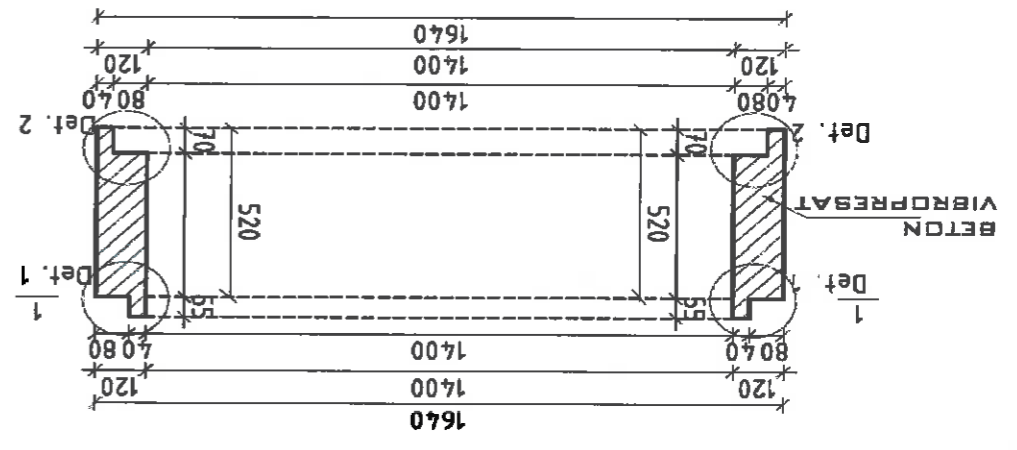
00 REVISIA NR: REVISION NO.:	PLAN COFRAJ GAMIN 1400 TTLU PLANSA / PLAN NAME:	24/02/2020 DATE: PREDARE:	ing. MIHAI URSULEASA VERIFICAT / CHECKED
			ing. STEFAN MADALIN BLIDEA DESENAT / DRAWN
R01 PLANSA NR: PLAN NO.:	TUB BETON DIAMETRUL INTERIOR 1400mm DENUMIRE PROIECT / PROJECT NAME:	1:10/1:20 SCALE: SCARA:	ing. MIHAI URSULEASA PROIECTANT / DESIGNER
			ing. MIHAI URSULEASA SEF PROIECT / PRJ. MANAGER
DE FAZA / PHASE:	DUMAR CONSTRUCT SRL Nr. Reg. Com. 160/28779/1994, RO: 6904682 Sfr. Localit. Nr. 12-16, Gros Negurle, Jud. Ifov	DUMAR CONSTRUCT SRL Nr. Reg. Com. 160/28779/1994, RO: 6904682 Sfr. Localit. Nr. 12-16, Gros Negurle, Jud. Ifov	ing. MIHAI URSULEASA NUME / NAME: SEMANTURA: SIGNATURA:
			ing. MIHAI URSULEASA SPECIFICATIE: PRJ. MANAGER
24/02/2020 PROJECT NR: PROJECT NO.:	BENEFICIAR / BENEFICIARY:		PROIECTANT GENERAL / GENERAL DESIGNER:



INEL GAMIN 1400/H1000



BAZA CAMIN 1400/ H1000



INEL GAMIN 1400/H500

