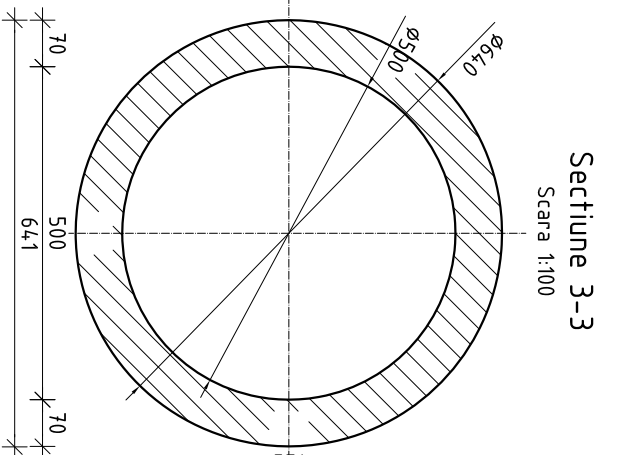


Plan cofraj tub Ø500

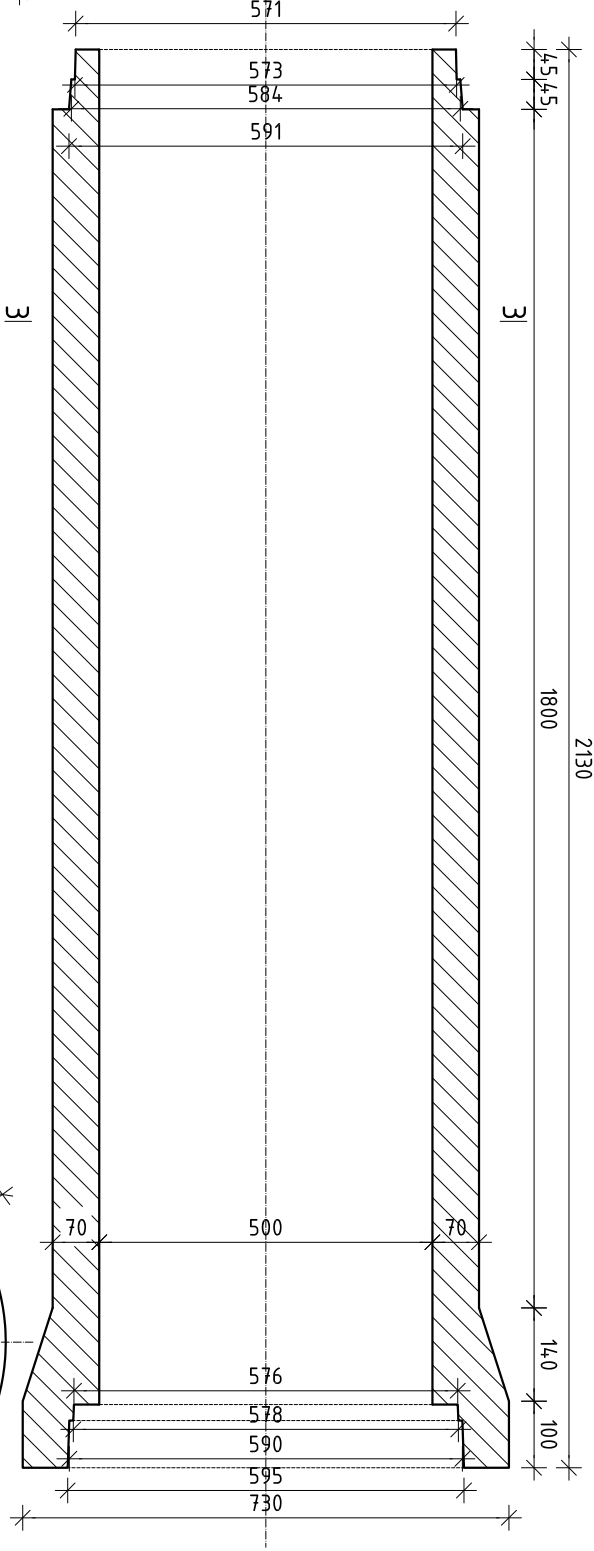
Scara 1:100



Detaliu armare tub Ø500

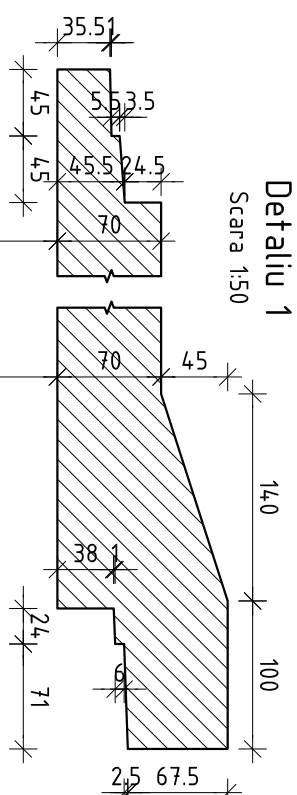
Scara 1:100

2090

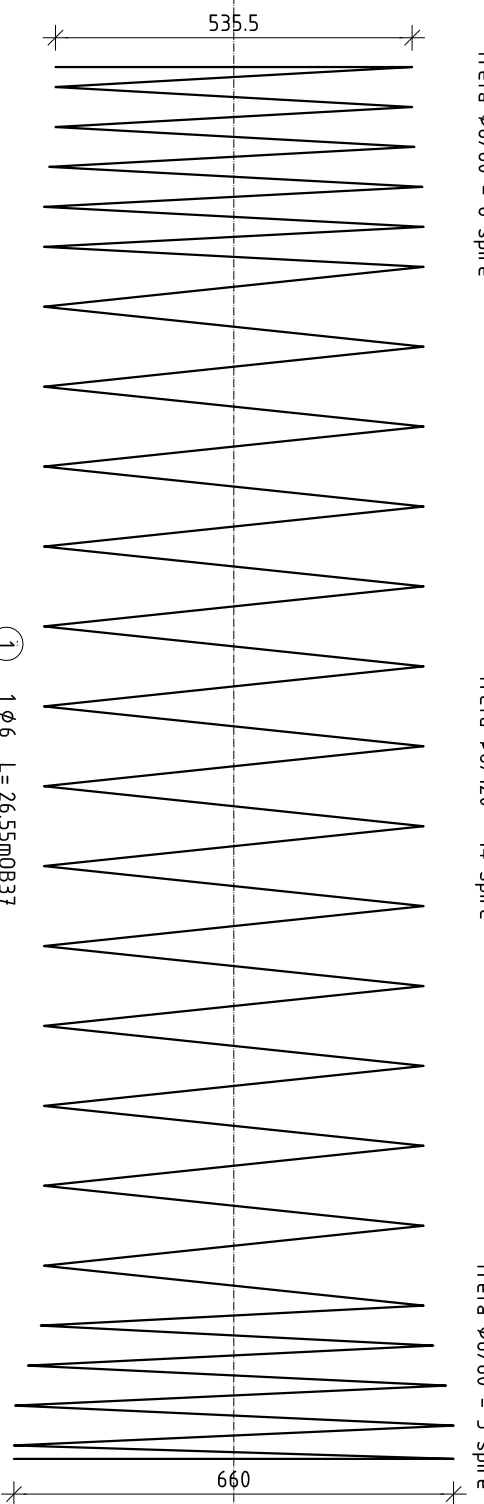
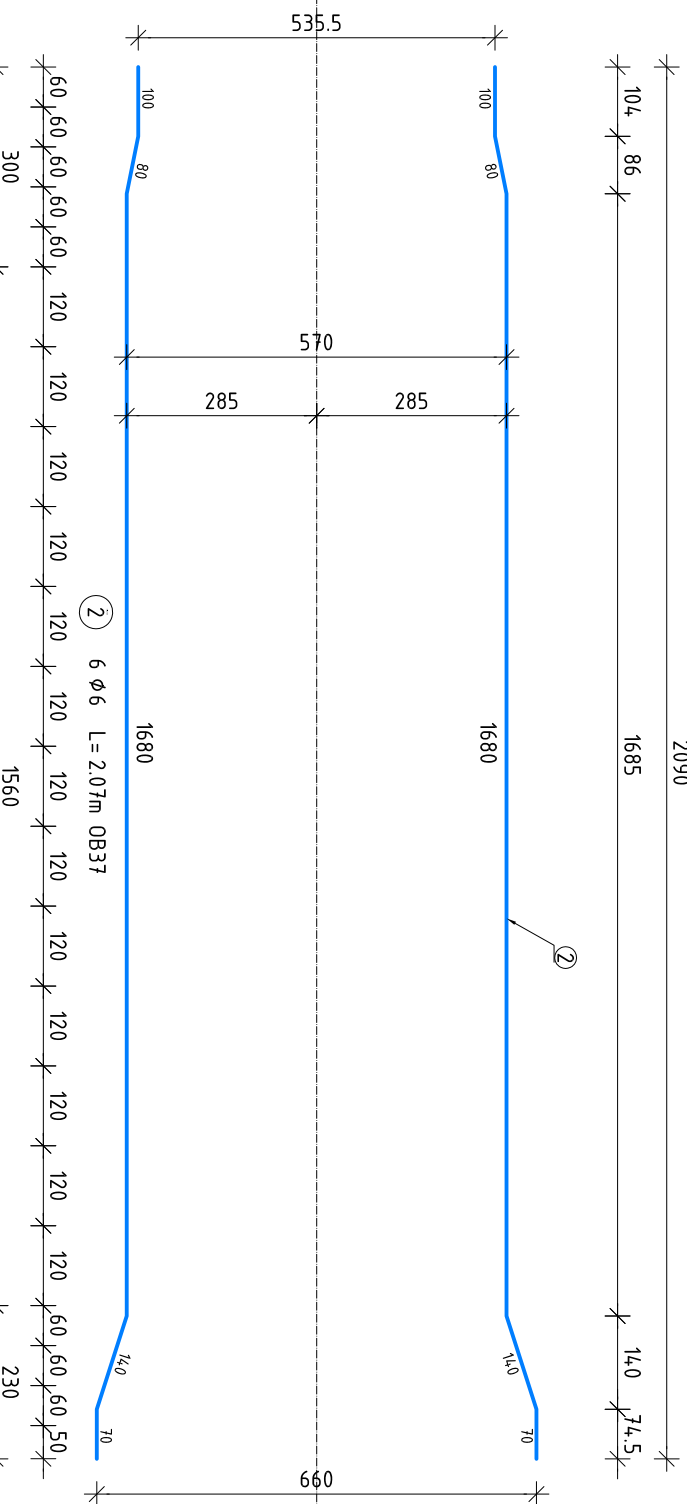
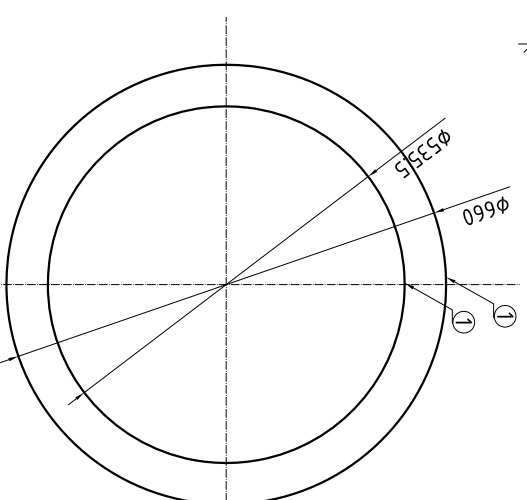
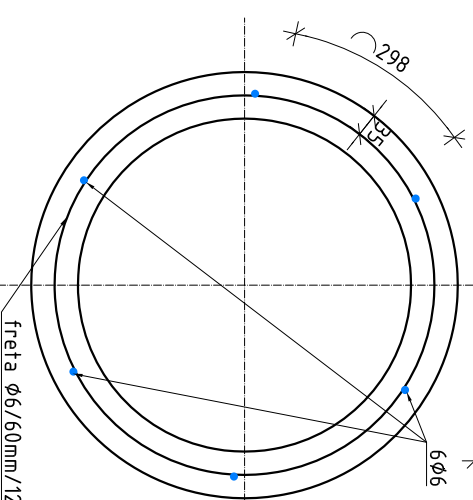


Detaliu 2

Scara 1:50



Marca	Ø	Nr. buc.	L (m)	ØB37
1	6	1	4.159	4.159
2	6	6	2.07	12.42
Lungimi pe diametre (m)				54.01
Greutate pe 1m (kg)				0.222
greutate pe diametre (kg)				15
Total (kg)				0837=15



Nota:

Intrre panourile elementelor chesonului nu se vor introduce elemente de rost.

PROIECTANT GENERAL / GENERAL DESIGNER:  
SC DCTS STRUCTURI SRL

BENEFICIAR / BENEFICIARY:  
DUMAR CONSTRUCT SRL  
Nr. Reg. Com. J4U/287879/1954, R. 6904482

PROIECT NR.: 3008 / 2017

FAZA / PHASE: DE

PLANSA NR.: RP03

REVIZIA NR.: 00

ELEMENT STANDARD	REG. DE CARACTERISTICI	NR. BUC. (n)	ALUNG. CONSTR. (m)	ALUNG. TOTALA (m)	ALUNG. ELEMENTA (m)
ØB37	57x6-438-1189	252	0.2120m	2.39	15.0%
P-C22	57x6-438-1189	345	0.2x28mm	1.9%	10.0%
P-C30	57x6-438-1189	405	0.2x30mm	1.9%	10.0%
ØB198	57x6-438-1189	252	0.2120m	2.39	15.0%
ØB198	57x6-438-1189	252	0.2120m	2.39	15.0%
ØB198	57x6-438-1189	252	0.2120m	2.39	15.0%
ØB198	57x6-438-1189	252	0.2120m	2.39	15.0%
ØB198	57x6-438-1189	252	0.2120m	2.39	15.0%
ØB198	57x6-438-1189	252	0.2120m	2.39	15.0%
ØB198	57x6-438-1189	252	0.2120m	2.39	15.0%

SPECIFICATIE: SPECIFICATION:	NUME / NAME: ing. ANA-MARIA POPA	SEMNAȚURĂ: SIGMATURE:	SCARĂ: SCALE: 1:100/150	DENUMIRE PROIECT / PROJECT NAME: TUB BETON ARMAT SI NEARMAT Ø500	PLANSA NR.: PLAN NO.: RP03
SEF PROIECT / PRJ. MANAGER: ing. ANA-MARIA POPA	PROIECTANT / DESIGNER: ing. STEFAN MADALIN BLIDEA	DESENAT / DRAWN: ing. STEFAN MADALIN BLIDEA	DATA PREDARE: DATE: 31/08/2017	TITLU PLANSA / PLAN NAME: PLAN COFRAJ SI ARMARE TUB BETON ARMAT SI NEARMAT Ø500	REVIZIA NR.: REVISION NO.: 00
VERIFICAT / CHECKED: ing. ALIN APOSTOLESCU					

DC TS structuri

DC TS Structuri SRL  
Strada Duzilor nr. 5 | Sector 7 | Bucuresti | Romania  
Tel: 0761 410 310, 520 883 | Email: 410 310 407 | Fax: 410 310 350  
www.dctis.ro

DUMAR CONSTRUCT SRL  
Nr. Reg. Com. J4U/287879/1954, R. 6904482  
Str. Iva Muresianu, nr.11, Bl. Art. Ap. 109, sector 4, Bucuresti | Tel/Fax: +40 468 44 74

Copyright © by DCTS Structuri SRL. All rights reserved.  
No part of this document may be reproduced, stored in a retrieval system, or transmitted in any form or by any means, without the prior written permission of DCTS Structuri. Any modifications to this document will void its usability.