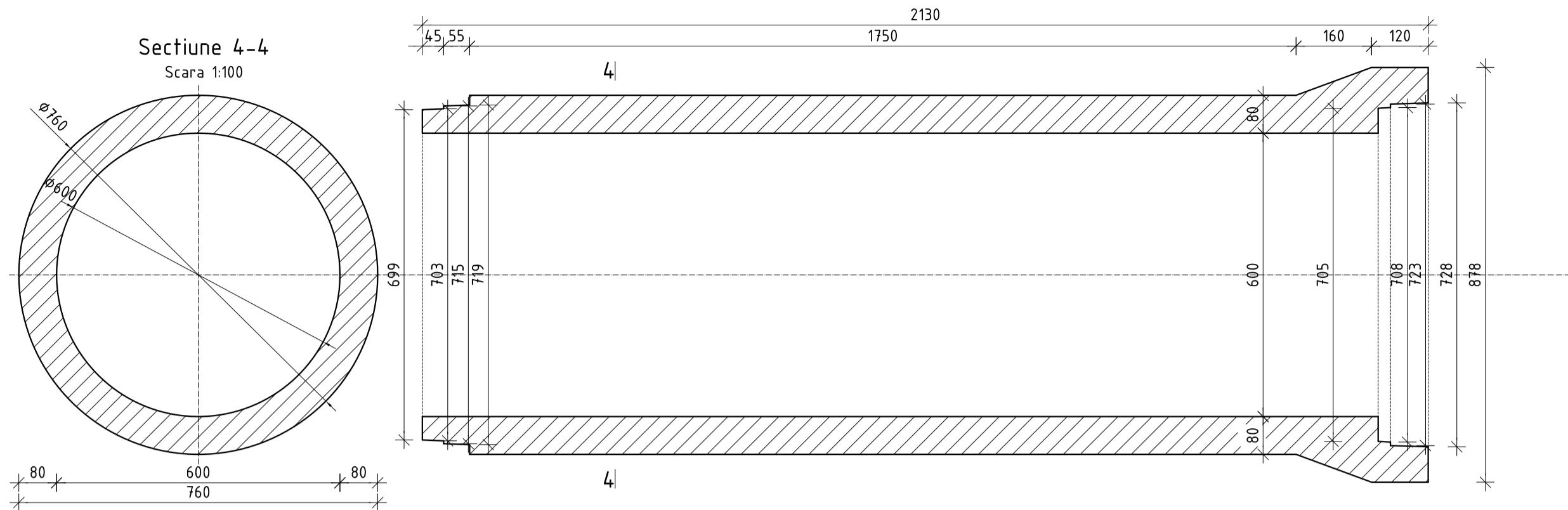
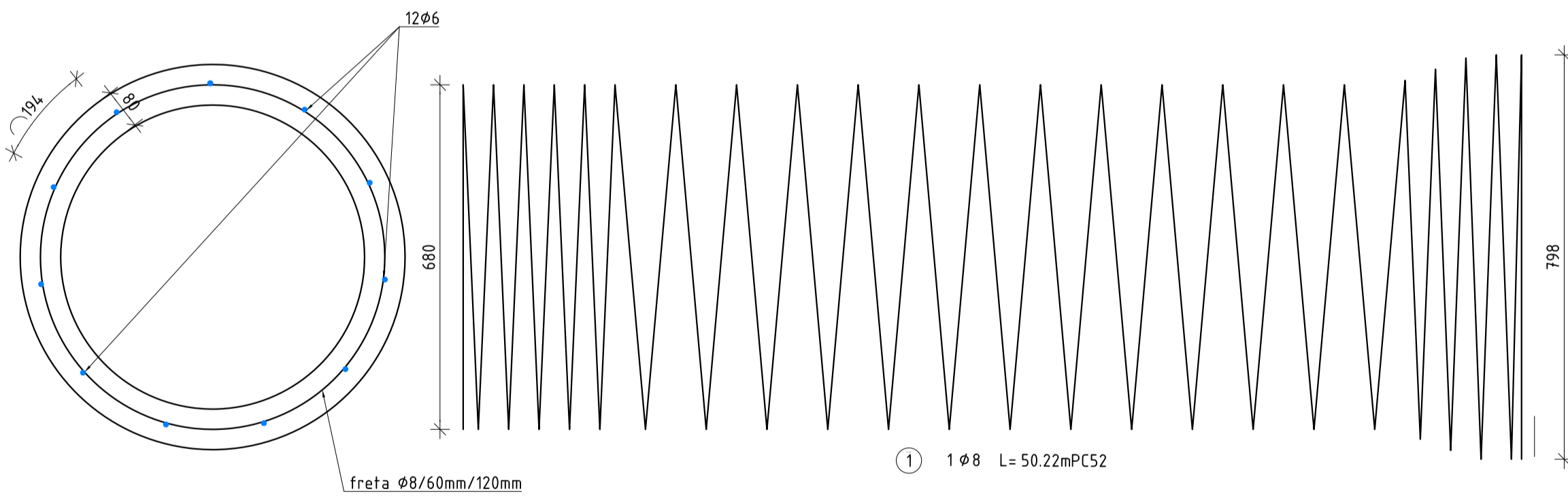
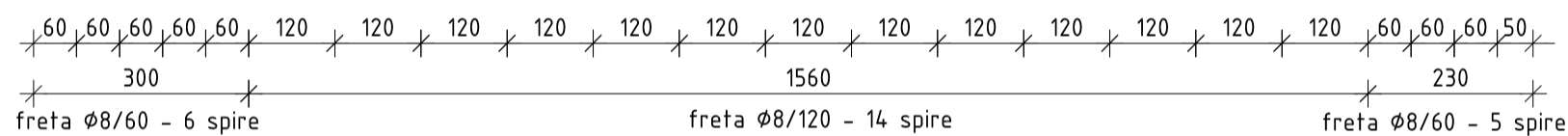
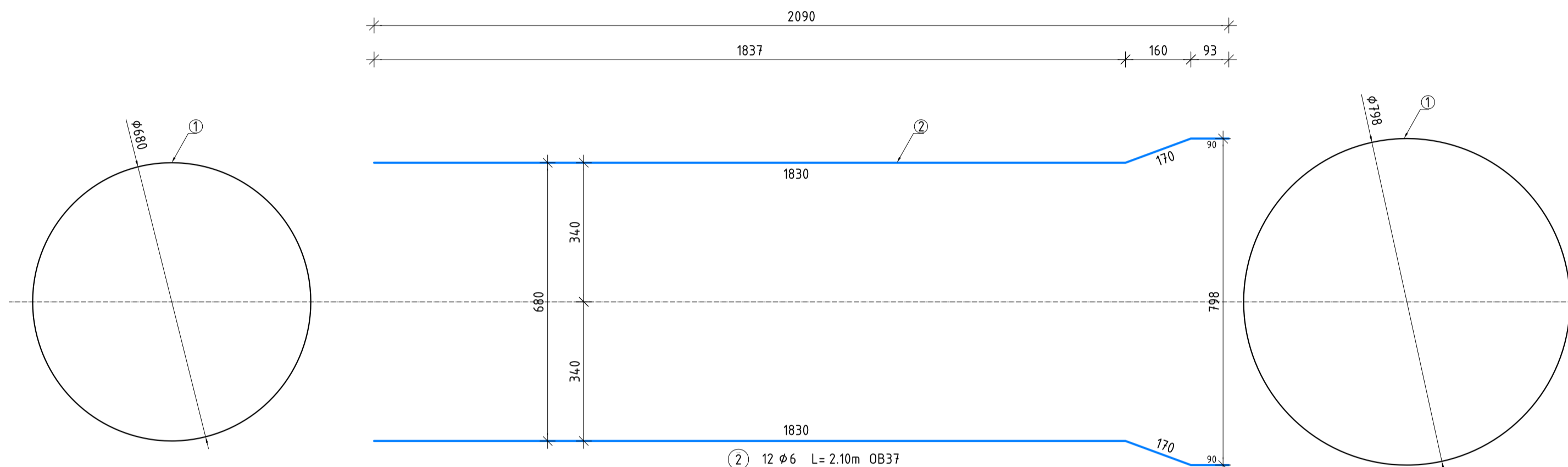


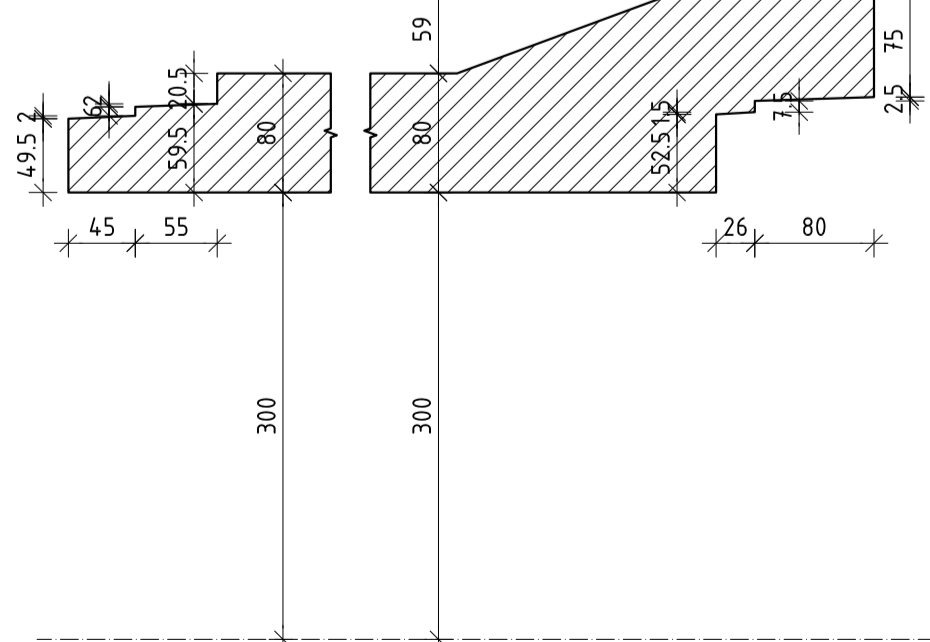
Plan cofraj tub Ø600
Scara 1:100



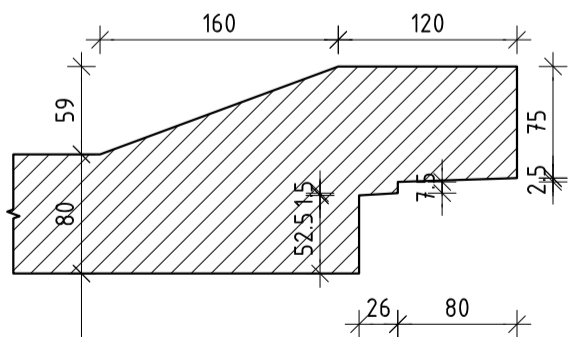
Detaliu armare tub Ø600
Scara 1:100



Detaliu 1
Scara 1:50



Detaliu 2
Scara 1:50



Marca	Ø	Nr. buc.	L (m)	OB37	PC52
1	8	1	50.22	-	50.22
2	6	12	2.10	25.2	-
Lungimi pe diametre (m)			25.2	50.22	
Greutate pe diametre (kg)			0.222	0.395	
Total (kg)			OB37=10	PC52=25	

ELEMENT	STANDARD	REZ DE CURSURI		ALUNGIRE CARPT PILEI		ALUNGIRE MINA LA	
		REZ DE CURSURI (R ₁)	REZ DE CURSURI (R ₂)	ALUNGIRE CARPT PILEI (R ₁)	ALUNGIRE CARPT PILEI (R ₂)	ALUNGIRE MINA LA (R ₁)	ALUNGIRE MINA LA (R ₂)
ARMATURA							
OB37	STAS 438-198	235 Ø40mm	300	2.5%	15.0%		20%
PC52	STAS 438-198	345 Ø20mm	510	1.5%	10.0%		20%
PC50	STAS 438-198	420 Ø20mm	390	1.0%	5.0%		10%
STN1	SR 438-3/96	100 Ø4.0mm 440 Ø4.5mm 440 Ø5.0mm 440 Ø5.5mm 300 Ø5.0mm	500 500 500 500 500	0.2% 0.2% 0.2% 0.4% 0.4%	0.2% 0.2% 0.2% 0.4% 0.4%	0.0% 0.0% 0.0% 0.0% 0.0%	0.0% 0.0% 0.0% 0.0% 0.0%
SPF18	SR 438-3/96	400	510	0.4%	8.0%		8%
SPF18/18	SR 438-3/96	400	510	0.4%	8.0%		8%
STN1/18	SR 438-3/96	500	500	1.0%	15.0%		15%
STN1/18/18	SR 438-3/96	500	500	0.5%	7.5%		7.5%

TIP ELEMENT	CLASA BETON	CLASA DE EXPUNERE	CONTINUTUL DE CLORURI	RAPORTUL MAX. A/C	TITLUL DE CEMENT	CANTITATEA DE CEMENT	DIMENSIUNEA AGRIGATULUI
TOATE ELEMENTELE/ALL ELEMENTS	C20/25	XC2	XA1	CI 0.1	0.6	CEM 52.5R	300

Nota:
Intre panourile elementelor chesonului nu se vor introduce elemente de rost.

PROIECTANT GENERAL / GENERAL DESIGNER: SC DCTS STRUCTURI SRL		BENEFICIAR / BENEFICIARY: DUMAR CONSTRUCT SRL No. Reg. Com: J40/257/11.01.2011, R: 27995206		PROIECT NR.: 3008/2017
DC TStructuri		DUMAR CONSTRUCT SRL Strada Duzilor nr. 5 Sector 2 Bucuresti Romania T: Office +40 316 250 833 T: Mobile +40 721 308 421 F: +40 316 250 833 www.dcts.ro		FAZA / PHASE: DE
SPECIFICATIE / SPECIFICATION:	NUME / NAME:	SEMNATURA / SIGNATURE:	SCARĂ / SCALE: 1:100/1:50	DENUMIRE PROIECT / PROJECT NAME: TUB BETON ARMAT SI NEARMAT Ø600
SEF PROIECT / PRJ. MANAGER:	ing. ANA-MARIA POPA			PLANSĂ NR. / PLAN NO.: Rp04
PROIECTANT / DESIGNER:	ing. STEFAN MADALIN BLIDEA		DATA PREDARE / DATE:	REVISION NR. / REVISION NO.: 00
DESENAT / DRAWN:	ing. STEFAN MADALIN BLIDEA			
VERIFICAT / CHECKED:	ing. ALIN APOSTOLESCU		31/08/2017	